



The Signature of Quality

FEDERAL INDUSTRIES

A Standex Company

215 Federal Avenue Belleville
Wisconsin 53508-9201

Phone: 800-356-4206

Fax: 608-424-3234

Email: Geninfo@Federalind.com

Website: Federalind.com

Project Name: _____

Item #: _____

Model #: _____ Qty: _____

Approval: _____

AIA #

SIS #

Italian Glass Non-Refrigerated Display Case

Designed for customers looking for rich, up-scale Italian styling for maximum visual appeal that will drive product sales.



Model ITD4834-B18
Shown with special laminate option

MODEL	DIMENSIONS (Includes End Panels)
<input type="checkbox"/> ITD3626-B18	36 x 30.75 x 44 (in) 914 x 781 x 1118 (mm)
<input type="checkbox"/> ITD4826-B18	48 x 30.75 x 44 (in) 1219 x 781 x 1118 (mm)
<input type="checkbox"/> ITD6026-B18	60 x 30.75 x 44 (in) 1524 x 781 x 1118 (mm)
<input type="checkbox"/> ITD3634-B18	36 x 30.75 x 52 (in) 914 x 781 x 1321 (mm)
<input type="checkbox"/> ITD4834-B18	48 x 30.75 x 52 (in) 1219 x 781 x 1321 (mm)
<input type="checkbox"/> ITD6034-B18	60 x 30.75 x 52 (in) 1524 x 781 x 1321 (mm)

STANDARD FEATURES

Model Features

- Powder coated steel base construction with a choice of six standard laminates
- Stainless steel interior
- All tempered thermo-pane glass construction
- Tilt-out front glass for easy cleaning
- Removable sliding glass rear doors
- Adjustable Leg levelers
- Cord & Plugelves

Shelving

- Adjustable glass shelves. Shelves are adjustable up and down and can be tilted in two positions (0°/ 5° angle). 34" (864mm) models have three tiers of shelves; 26" (660 mm) models have two tiers of shelves

Lighting

- 3500K LED top light and shelf lights DLC certified, IP66 rated

Agency Approvals

- UL and UL Sanitation Listed to NSF-2
- DOE 2017 Compliant.

OPTIONAL ACCESSORIES

- | | |
|---------------------------------------------------------------------------------|--------------------------------------------------------------|
| <input type="checkbox"/> Special Base Laminates | <input type="checkbox"/> 6"/152mm Legs With or Without Skirt |
| <input type="checkbox"/> Stainless Steel Shelving | <input type="checkbox"/> Rear Package Shelf |
| <input type="checkbox"/> Reflective Rear Doors | <input type="checkbox"/> Joining Kit for Continuous Line-Ups |
| <input type="checkbox"/> Reflective Ends | |
| <input type="checkbox"/> 2 ½" (63.5 mm) or 4"/102mm Casters
Recessed Casters | |



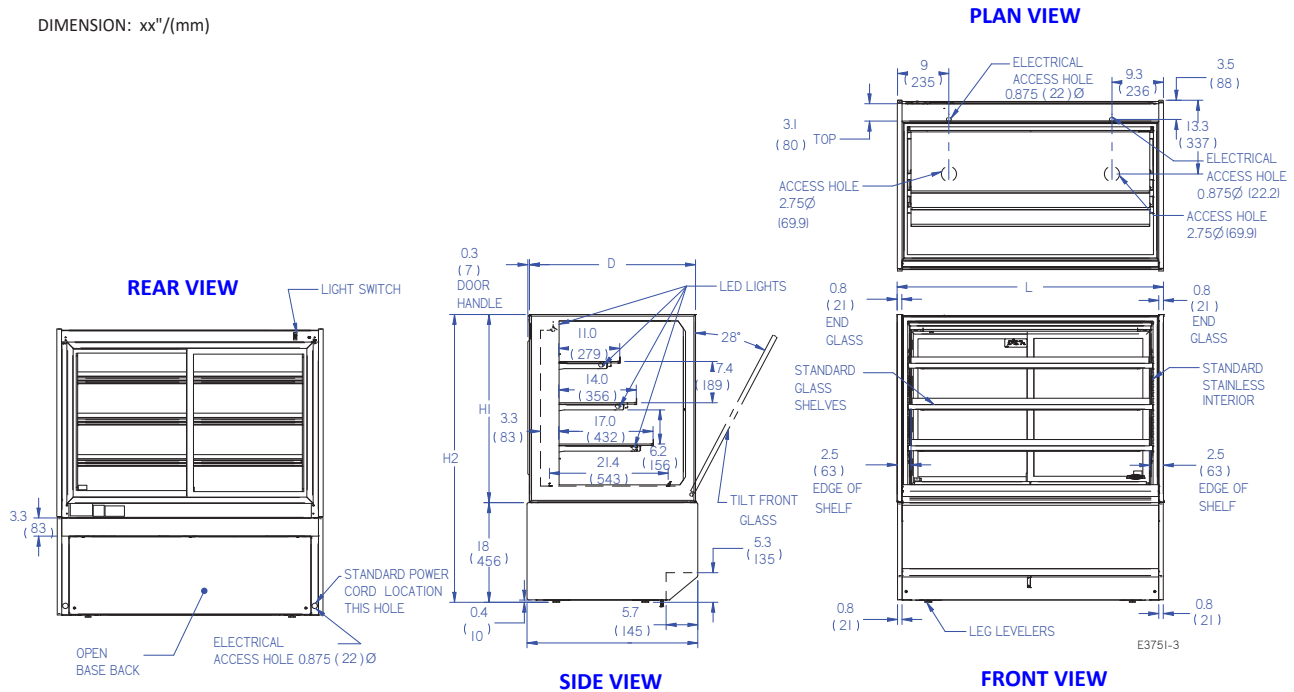
WARRANTY*
One year Parts and Labor
2nd thru 5th year part only
service compressor
(U.S.A. and Canada)

Note: Information is subject to change at any time. Visit www.federalind.com For the most current specs.

AIA #	Italian Glass Non-Refrigerated Display Case
SIS #	Product Specifications

Zone	Intended product to be displayed	Avg prod temp °F / °C
All	Non-refrigerated food products	N / A

DIMENSION: xx"/(mm)



DIMENSION TOLERANCE +/- 0.19 (4.8)

MODEL	DIMENSIONS					SHIPPING WHT		VOLTAGE	AMPS	NEMA PLUG
	L	D	H1	H2	UNITS	LBS	KILO			
ITD3626-B18	36	30.75	26	44	in.	550	250	120/60/1	MAX FUSE 15	NEMA 5-15P
	914	781	661	1118	mm.					
ITD4826-B18	48	30.75	26	44	in.	640	290	120/60/1	MAX FUSE 15	NEMA 5-15P
	1219	781	661	1118	mm.					
ITD6026-B18	60	30.75	26	44	in.	700	318	120/60/1	MAX FUSE 15	NEMA 5-15P
	1524	781	661	1118	mm.					
ITD3634-B18	36	30.75	34	52	in.	525	238	120/60/1	MAX FUSE 15	NEMA 5-15P
	914	781	864	1321	mm.					
ITD4834-B18	48	30.75	34	52	in.	575	261	120/60/1	MAX FUSE 15	NEMA 5-15P
	1219	781	864	1321	mm.					
ITD6034-B18	60	30.75	34	52	in.	800	363	120/60/1	MAX FUSE 15	NEMA 5-15P
	1524	781	864	1321	mm.					

• Due to continuing engineering improvements, specifications are subject to change without notice.



FEDERAL INDUSTRIES
 A Standex Company
 215 Federal Avenue Belleville, Wisconsin 53508-9201

Phone: 800-356-4206
Fax: 608-424-3234
Email: Geninfo@Federalind.com
Website: Federalind.com